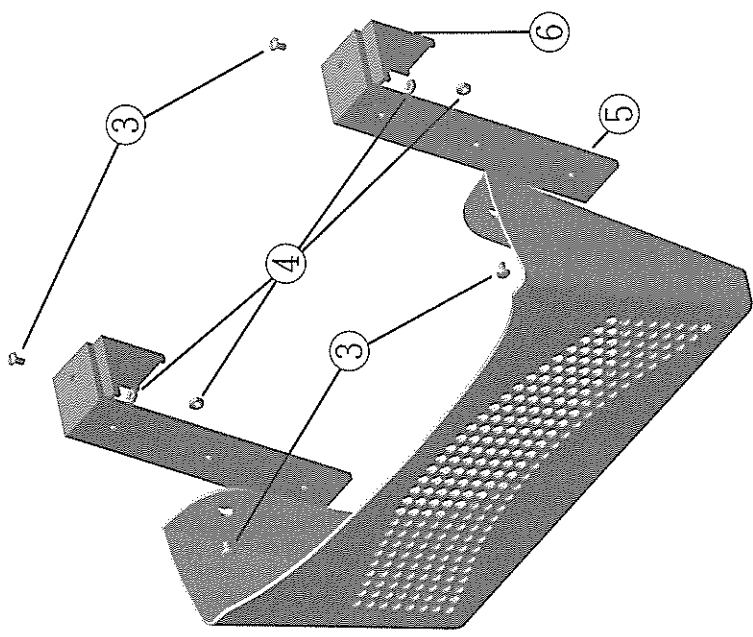
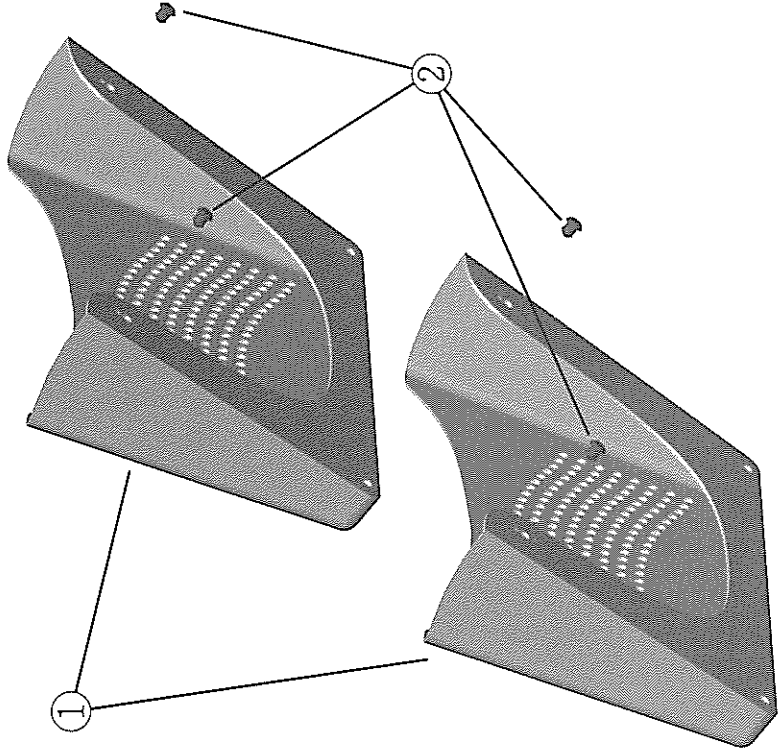


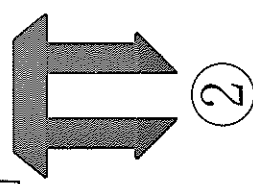
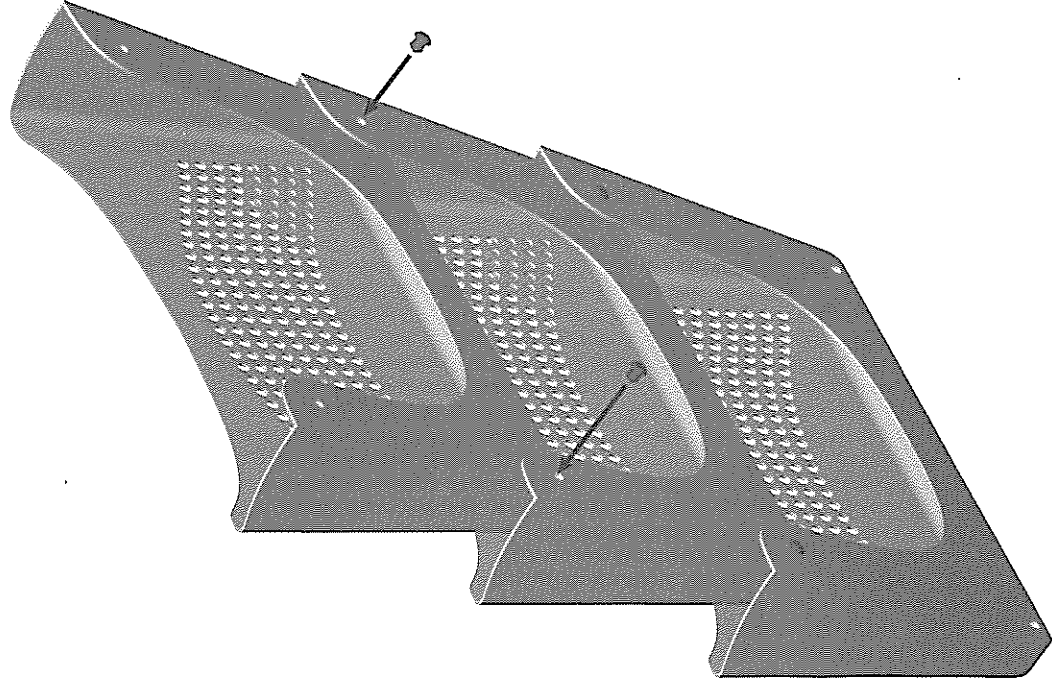
# PARTS DIAGRAM

## PARTS LIST:

Parts	Qty	Description
①	3	Pocket
②	4	Insert
③	4	Screw
④	4	Nut
⑤	2	Connect Brace
⑥	2	Pothook

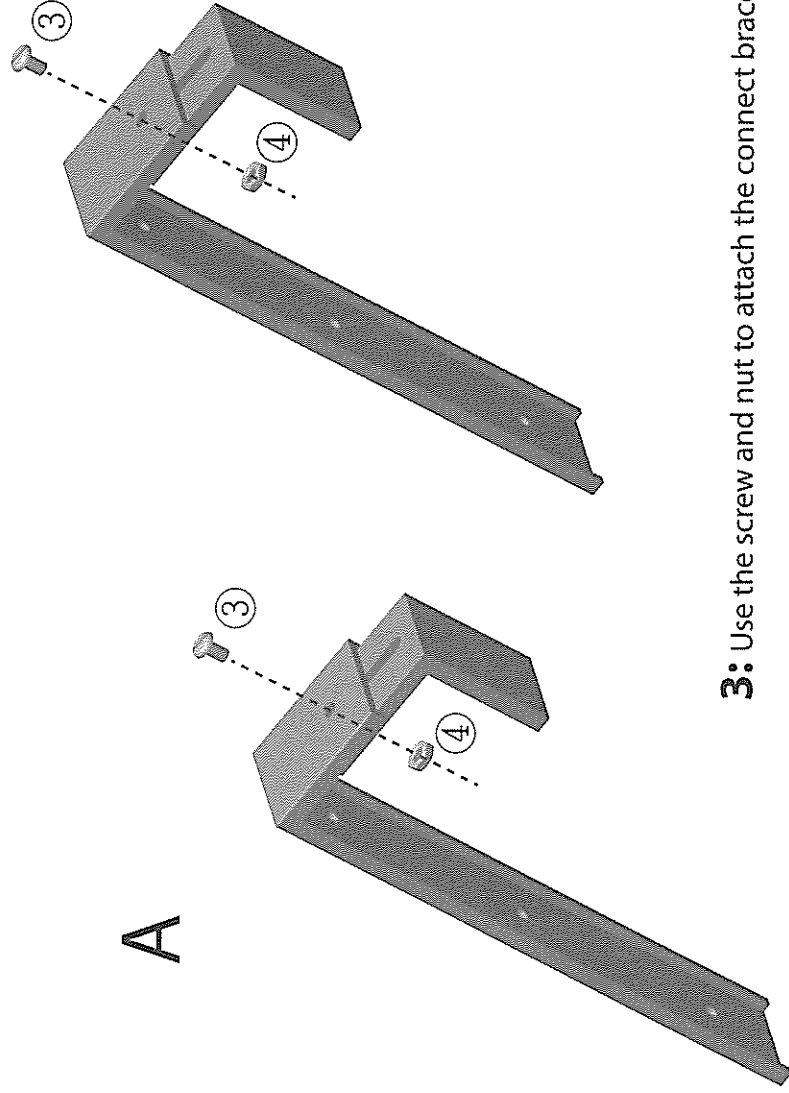


**1:** Use one insert each side to attach pocket together



**Fit the insert into the holes**

**2:** Use the screw and nut to attach the connect brace and pothook as shown A.



**3:** Use the screw and nut to attach the connect brace as shown B.

